



Gasket Kit #3421

Installation Instructions

for the

Resolute Acclaim Stove

The Acclaim uses a rope-type gasket to make a seal between some parts. With use, this gasket can become compressed and begin to lose its effectiveness. It should then be replaced.

Contents:

- 4' of 3/16" gasket (door glass frame)
- 8' of 5/16" gasket (back, top, upper fireback)
- 4' of 5/16" wire gasket (griddle)
- 6' of 1/2" gasket (front door)
- 1 tube of gasket cement

Tools required: Utility knife, wooden block, rubber mallet, 1/4" allen wrench, wire brush, flat-blade screwdriver.

Wait till the fire is out and the stove has cooled completely before replacing the gasket, and be sure to wear safety goggles and a dust mask.

The procedure for replacing the gaskets is the same, regardless of the gasket location.

1. Remove the original gasket by grasping an end and pulling firmly.
2. Use a wire brush or tip of a screwdriver to clean the channel of any remaining cement or bits of gasket. Use a cold chisel on stubborn deposits if necessary.

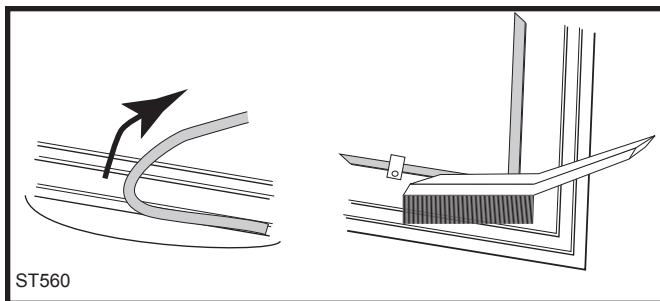


Fig. 1 Remove gasket then clean channel with wire brush.

3. Determine the right length of the appropriate-sized gasket by laying it out in the channel. Allow an extra 1-2" (25-50mm) and mark the spot to be cut.
4. Remove the gasket from the channel, place it on a wooden cutting surface, and cut it at the marked spot with a utility knife. Twist the ends slightly to discourage the gasket from unraveling.
5. Apply the cement in the channel. Before you cut the tip of the cement tube, knead the tube thoroughly to help mix back into the cement any water that may have separated during storage. Practice applying the cement on a piece of newspaper before you apply it in the channel.
6. Starting at one end, press the gasket into the channel. Ensure a good joint where the ends meet before trimming any excess. Do not overlap the gasket ends or leave ends with ragged edges.

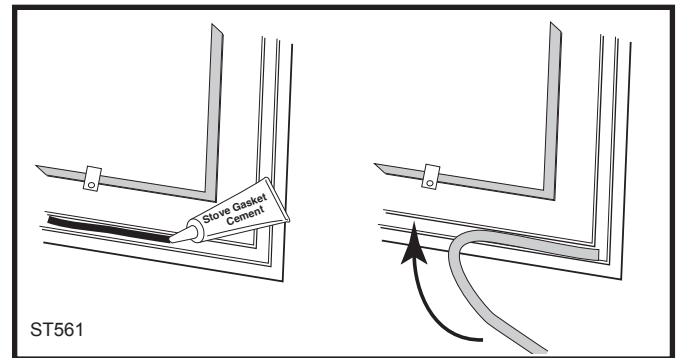


Fig. 2 Lay a bead of gasket cement then press gasket in place.

7. Press the part firmly against its normal mating surface to seat the gasket evenly in its channel. Tap it with the rubber mallet (or hammer and block of wood) to help seat it properly. Never hit cast iron directly with a metal hammer.
8. Clean any excess gasket cement from around the channel; residual cement will leave a white cast after it dries. Extra cement will attack and dull an enameled finish, so remove it right away with a damp rag. Then, let the cement that holds the new gasket dry for at least 24 hours. Use a slip of waxed paper between the gasket and the mating surface to keep the cement from migrating through the gasket and sticking it to the mating surface.
9. Test the gasket seal by closing the door or griddle on a piece of paper. Pull gently on the paper. A good seal will provide firm resistance. A poor seal will let the paper move freely.

If a poor seal is apparent after you have installed a new gasket, and it cannot be corrected with door or latch adjustment, it may be necessary to insert shim gaskets under the new gasket or to take other corrective actions. Your dealer can provide the necessary materials and advice.

The stove's door may need adjustment after you have installed a new gasket. Initially, it may require loosening to accommodate the new gasket; after a few weeks, it may need tightening to compensate for the gasket compressing.

You adjust the door by removing or adding washers to the door latch mechanism. If the door must be loosened after installing a new gasket, remove washer. For a tighter fit, add washers. To remove or add washer, open the door, remove the allen-head button screw that attaches the door latch tab to the stove front, and remove the tab. Add or remove washers as needed, and save any washers you remove for future use. Replace the door latch tab and secure it with the allen-head button screw.

Care of the Glass Panels

Most carbon deposits will burn off the glass during normal use. Constant deposits on the glass indicate low, smoky fires. However, if you wish to clean the glass panel, use only a cleaner made especially for cleaning stove glass. Your dealer can supply this.

MHSC

149 Cleveland Drive • Paris, Kentucky 40361
www.mhsc.com